

Features



- 12.1" New Generation Stainless Steel Panel PC
- Freescale i.MX6 DualLite 1.0GHz Onboard Processor
- True Flat Front Bezel Design and Grade 304 Stainless Steel Enclosure (Grade 316 for Option)
- IP66/IP69K Rated with M12 Connectors
- Support Resistive Touch, Projected Capacitive Touch, and Glass
- Touch on/off Button on the Side Edge for Hygienic Cleaning
- Support Ergonomic Versatile Mounting: Yoke Mounting / Space-saving VESA 75 mm Mounting

Specifications



System	
Processor	Freescale i.MX6 Dual Lite, ARM Cortex A9(2x Cores,1.0GHz)
System Chipset	NA
System Memory	Onboard 1GB DDR3 SDRAM
External I/O	
USB	1 x M12 8-pin for USB 2.0 with waterproof cover and chain
Serial/Parallel	1 x M12 8-pin COM1, RS-232/422/485, default RS-232, with waterproof cover and chain
LAN	1 x M12 8-pin for LAN with waterproof cover and chain (POE for option)
Audio	1 x Touch on/off button on the side
Power Connector	1 x M12 3-pin for DC power with waterproof cover and chain 1 x Power switch on the side
Option	1 x CAN

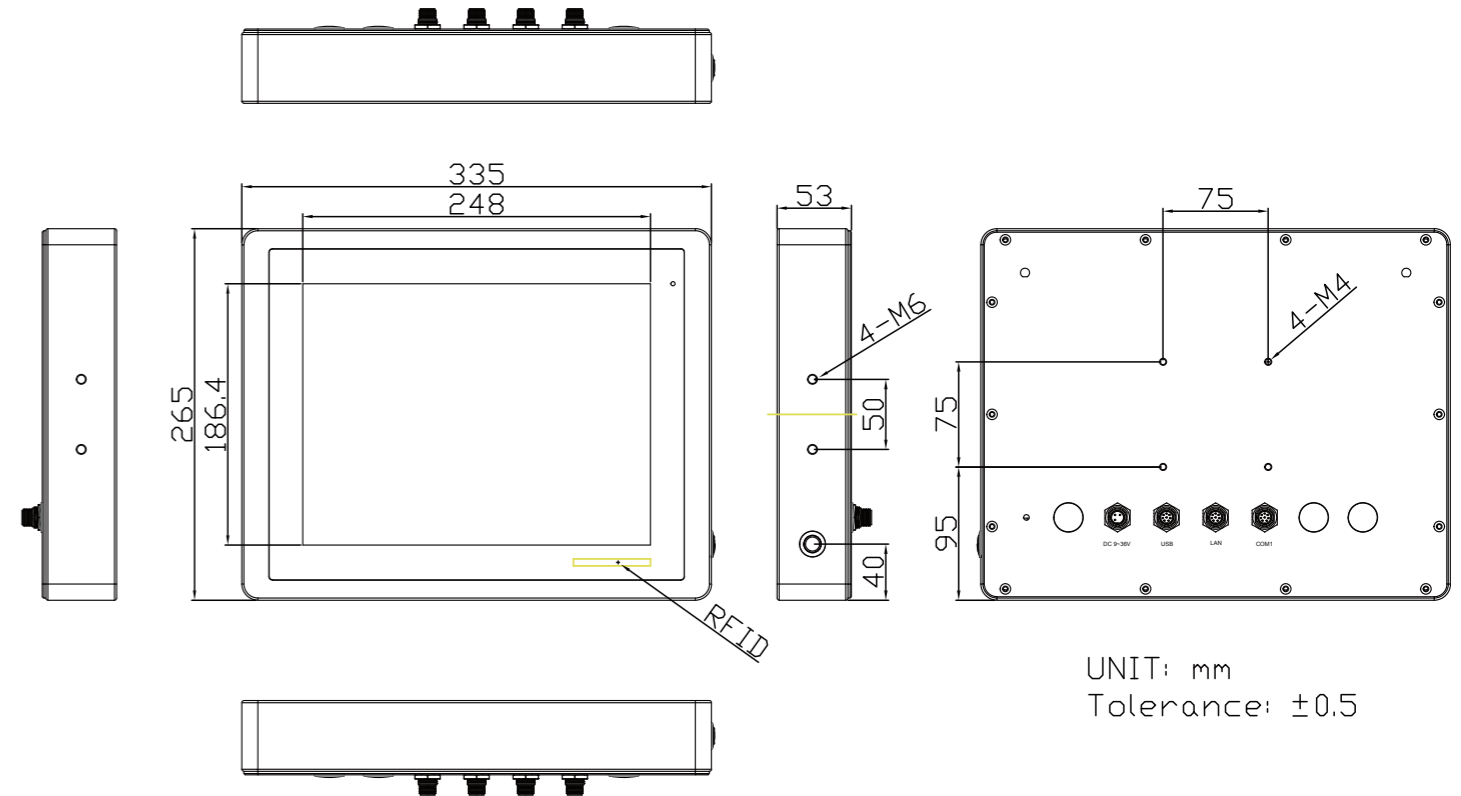
Storage Space	
HDD	Onboard 4GB eMMC NAND Flash

Expansion	
Expansion slot	1 x miniPCIe slot for WIFI/BT(optional), 4G/LTE(optional)
RFID module	RFID module design on the front side(optional)

Display	Standard	High Brightness optional
Display Type	12.1" TFT LCD	12.1" TFT LCD
Max. Resolution	800 x 600 1024 x 768 (optional)	800 x 600 1024 x 768 (optional)
Max. Color	262K / 16.2M (optional)	262K / 16.2M (optional)
Luminance (cd/m ²)	450 / 500 (optional)	1000
View angle(H°/V°)	160 / 140 160 / 140 (optional)	140 / 160 170 / 170 (optional)
Contrast	1500:1	1500:1
Backlight lifetime(hrs)	50,000 30,000 (optional)	50,000 70,000 (optional)
Option	Optical Boading	Optical Boading

Touch Screen	Resistive Touch	PCT	Glass
TS Control IC	PenMount 6000	Chip on tail	NA
Interface	SPI interface	USB interface	AR
Light Transmission	Over 80%	Over 90%	Over 90%

Dimensions



UNIT: mm
Tolerance: ±0.5

Power	
Power input	DC 9~36V
Power Consumption(TYP.)	ViTAM-612P: 12W

Mechanical	
Construction	304 Stainless steel chassis(default) 316 Stainless steel chassis(optional)
Mounting	VESA mount 75 x 75, Yoke mount for optional
IP Rating	Total IP66 / IP69K
Dimension(mm)	335 x 265 x 53
Net weight(Kg)	4.7

Environmental	
Operating temperature(°C)	0~50°C
Storage temperature(°C)	-30°C~70°C
Storage humidity	10 to 90% @ 40°C, non-condensing
Certification	CE/FCC class A

Operating System Support	
Android 6.0.1, Linux 4.1.15+QT5.6.2	

Ordering information	
ViTAM-612P-01	12.1"/800x600/S.S./iMX6/1G/4GeMMC/PCT/9~36V/w ADP/ANDROID
ViTAM-612R-01	12.1"/800x600/S.S./iMX6/1G/4GeMMC/RT/9~36V/w ADP/ANDROID
ViTAM-612G-01	12.1"/800x600/S.S./iMX6/1G/4GeMMC/GLASS/9~36V/w ADP/ANDROID
ViTAM-612PH-01	12.1"/800x600/1000NITS/S.S./iMX6/1G/4GeMMC/PCT/9~36V/w ADP/ANDROID
ViTAM-612RH-01	12.1"/800x600/1000NITS/S.S./iMX6/1G/4GeMMC/RT/9~36V/w ADP/ANDROID
ViTAM-612GH-01	12.1"/800x600/1000NITS/S.S./iMX6/1G/4GeMMC/GLASS/9~36V/w ADP/ANDROID